



FasNSeal® VENT KIT FOR WALL MOUNTED BOILERS & WATER HEATERS

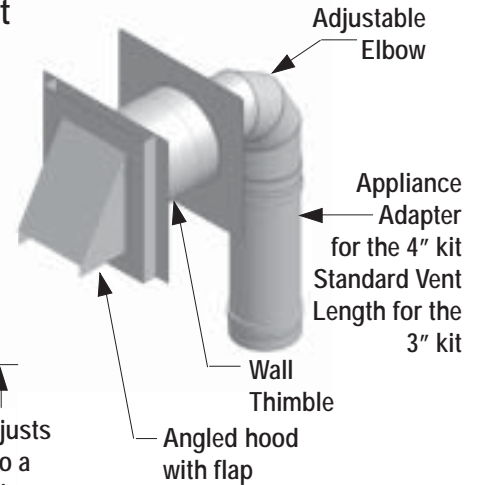
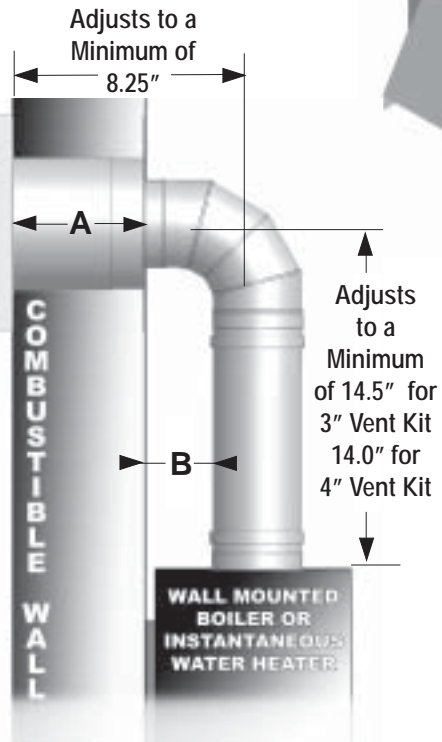
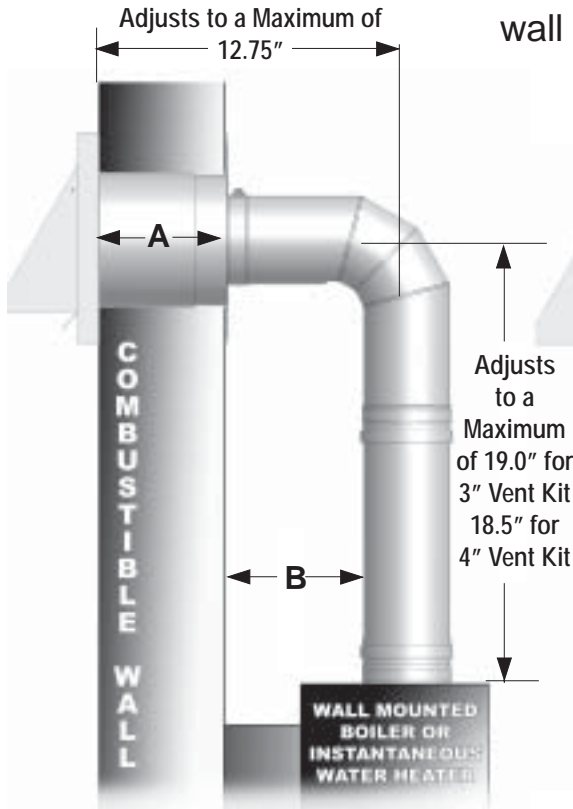
4" Vent Kit Compatible with most

A. O. Smith, Noritz, State & Takagi

3" Vent Kit Compatible with most

Bosch

wall mounted water heaters



UL Listed:

- 1" clearance to combustible vertical wall
- 3" clearance to horizontal combustible surface
- 1" clearance to combustibles around Wall Thimble



GO FROM THIS TO THIS INSTANTLY

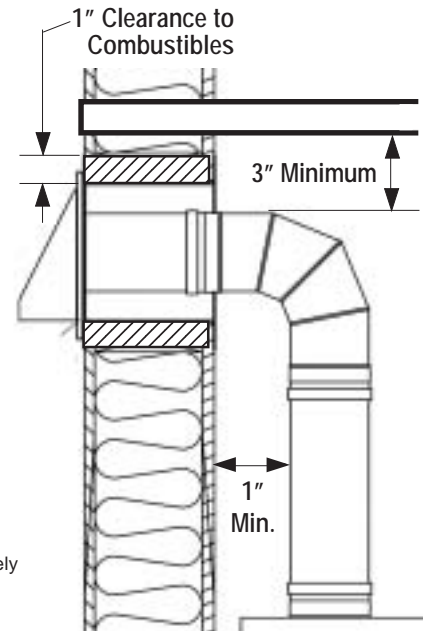
- Great Horizontal adjustability (see table)
- Great Vertical adjustability (see above drawing)
- Add additional vent lengths to increase horizontal and/or vertical runs
- Angled hood protects from the elements and avoids freeze-up
- Slot at the top of the angled hood prevents flue gases from being trapped
- Pivoting stainless steel flap designed to prevent backflow
- Less than 0.1 Water Column Inches (WCI) required to open the flap
- Flap operates quietly even in windy conditions

A Wall thickness	B Minimum	B 3" Vent Maximum	B 4" Vent Maximum
4.5"	*2.0"	6.5"	6.25"
5.5"	1.0"	5.5"	5.25"
6.5"	1.0"	4.5"	4.25"
7.5"	1.0"	3.5"	3.25"
8.0"	1.0"	3.0"	2.75"

* 1.75" Minimum for 4" kit, must cut Wall Thimble sleeves

Vent Diameter	Product Number	Part Number
3"	300676	FSWMKB3
4"	300684	FSWMK4

**Note: Purchase aluminum components separately for the fresh air intake.



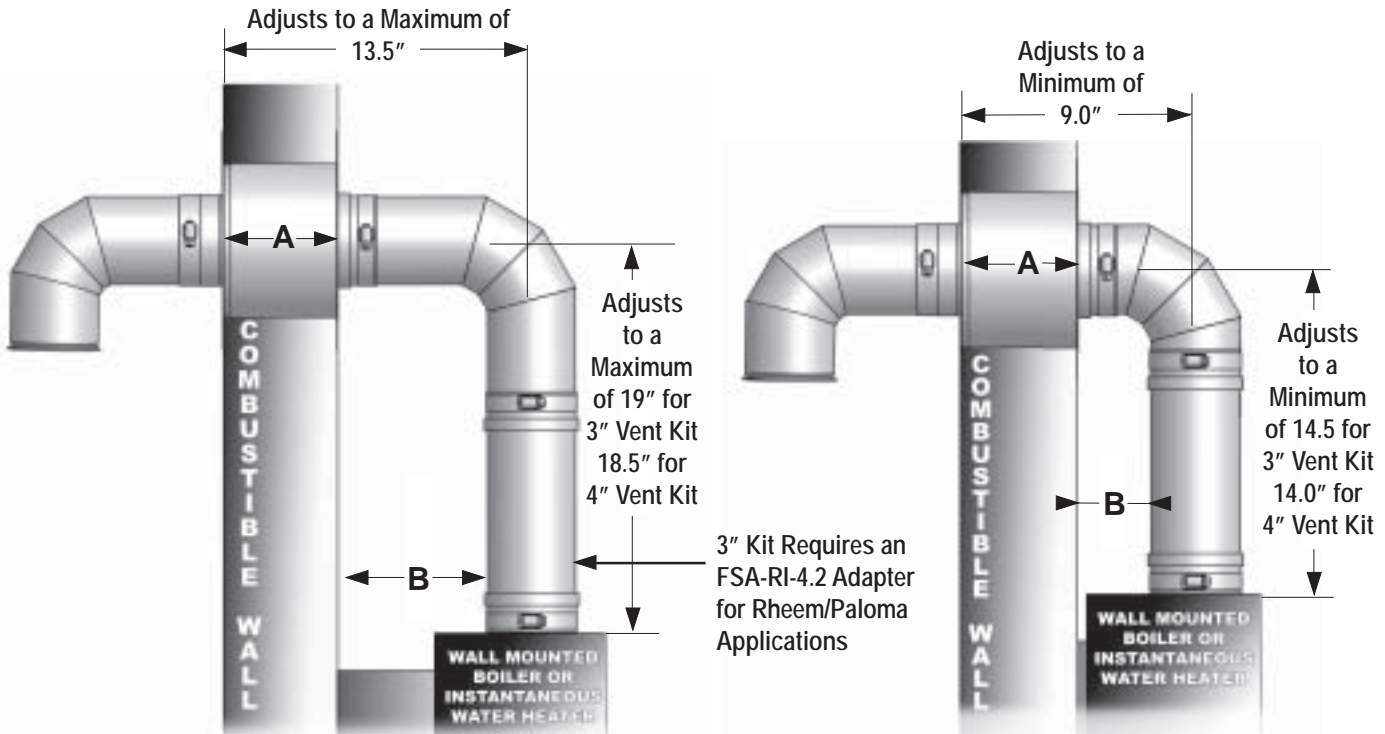
FasNSeal®

VENT KIT FOR WALL MOUNTED BOILERS & WATER HEATERS REQUIRING A 90 DEGREE BIRD SCREEN TERMINATION

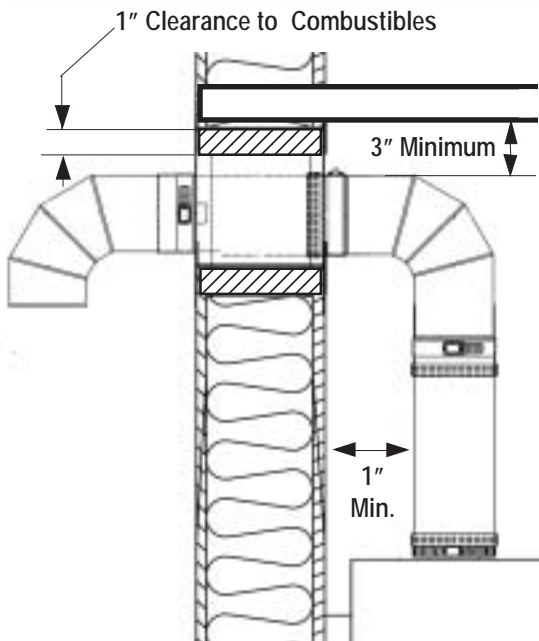
Made from AL29-4C® Corrosion Resistant Stainless Steel

Compatible with most

3" or 4" Paloma, Rheem, Ruud & Wai Wela
wall mounted water heaters



GO FROM THIS TO THIS INSTANTLY



- Great Horizontal adjustability (see table)
- Great Vertical adjustability (see above drawing)
- Add additional vent lengths to increase horizontal and/or vertical runs

A Wall Thickness	B 3" Vent Minimum	B 3" Vent Maximum	B 4" Vent Minimum	B 4" Vent Maximum
4.5"	3.0"	7.50"	2.5"	7.0"
5.5"	2.0"	6.50"	1.5"	6.0"
6.5"	1.0"	5.25"	1.0"	4.75"
7.5"	1.0"	4.25"	1.0"	3.75"
8.0"	1.0"	3.75"	1.0"	3.25"

Vent Diameter	Product Number	Part Number
*3"	303300	FSWMKEB3
4"	300864	FSWMKE4

*Order Adapter FSA-RI-4.2 for Rheem/Paloma applications

- 1" clearance to combustible vertical wall
- 3" clearance to horizontal combustible surface
- 1" clearance to combustibles around Wall Thimble

