

FasNSeal® VENT KIT WITH 90 DEGREE BIRD SCREEN TERMINATION INSTALLATION INSTRUCTIONS

These instructions pertain to the installation of the **FSWMKEB3** and the **FSWMKE4** Vent Kits.

The FasNSeal® Vent Kit is designed for sidewall venting of instantaneous tankless water heaters and wall hung boilers. This kit contains four easy to install parts that provide the ability to vent through any combustible wall. The Vent Kit is compatible with standard FasNSeal® products.

Be sure to read these instructions completely, and those of the appliance itself, before proceeding with the installation of this kit. Additional information and requirements regarding the use and installation of FNS® products can be found in our FNS® Installation Instructions (Literature No. 1150B). Local codes and regulations may be applicable and should always be adhered to.

All warranties, stated or implied, are void if this product and the appliance to which it is connected are not installed in accordance with their respective instructions and jurisdictional code requirements.

Proper joint assembly is essential for a safe installation. Failure to follow these instructions and good sound installation practices can lead to risk of pipe breakage, fire and carbon monoxide poisoning.

KIT COMPONENTS:

The following items are included in the box for this kit:

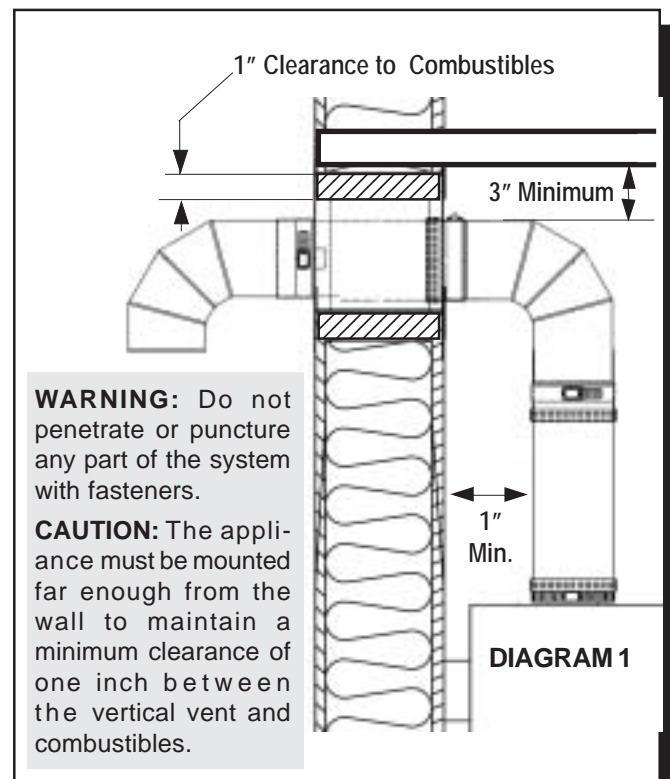
- Wall thimble
- Adjustable 90-degree elbow
- 12-inch long appliance adapter for the FSWMKE4 or a 12-inch standard vent length for the FSWMKEB3
- 90-degree bird screen termination
- Installation Instructions

GENERAL REQUIREMENTS

WARNING: Failure to conform to any of these requirements may violate local, state, or national codes and create conditions that may cause catastrophic property damage or personal injury.

- Proper operation of the vent system and appliance depends on the use and correct assembly of all parts specified by ProTech Systems, Inc. for a particular installation.
- If required by the appliance manufacturer, a drain fitting must be located as close as possible to the appliance flue outlet.
- More than one appliance **may not** be connected into the same vent kit termination.

- FasNSeal® must avoid any contact with plumbing or electrical systems.
- Proper clearances to combustibles must be maintained over the entire length of the system (refer to diagram 1).
- Never install FasNSeal® on an appliance that is not listed for use with a Special Gas Vent or Type BH vent.
- Additional FasNSeal® vent lengths can be installed for extended runs. The overall equivalent length of the system shall not exceed the specifications of the appliance manufacturer's instructions.
- Horizontal vent runs shall have a slope of no less than ¼ inch (6.4mm) every 12 inches (305mm) to prevent collection of condensates.
- The termination should be away from trees, shrubs, or decorative items as flue gases could cause damage.
- The venting system must be free to expand and contract.
- Check for unrestricted vent movement through walls, ceilings, and roof penetrations.
- Different Manufacturers Have Different Joint Systems and Adhesives. Do Not Mix Pipe, Fittings, or Joining Methods from Different Manufacturers.



GENERAL TERMINATION GUIDELINES:

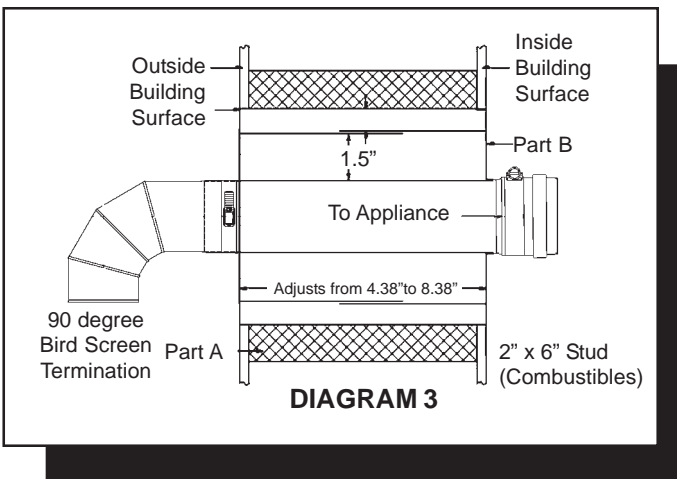
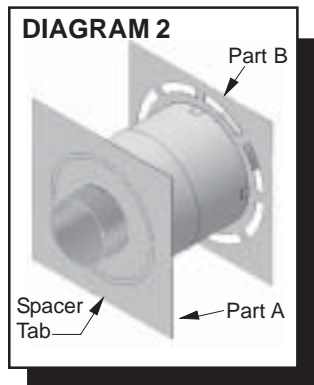
NOTICE: The following is to be used as a guideline only. Check with the Code enforcement office in your area for specific termination requirements.

A mechanical draft vent system, excluding direct-vent appliances, shall terminate at least 4 feet (1219 mm) below, 4 feet (1219 mm) horizontally from, or 1 foot (305 mm) above any door, window, or gravity air inlet into any building. The bottom of the vent terminal shall be located at least 12 inches (305 mm) above grade. In geographical areas where snow accumulates, terminate the system at least 12 inches above the snow line. The termination must be kept clear of snow and ice at all times.

Do not terminate over public walkways or over an area where condensate or vapor could create a nuisance or hazard or could be detrimental to the operation of regulators, relief valves, or other equipment.

INSTALLATION INSTRUCTIONS

- Determine the location and install the Wall Thimble so that a continuous minimum slope of 1/4" per foot is maintained in any horizontal portion of the vent system. (See Diagrams 2 and 3)
- Cut the opening for the Wall Thimble to allow the spacer tabs protruding from the outer plate to sit comfortably within the opening.
 - Position Part A into the opening so that it is located on the outside of the structure.
 - Apply a bead of silicone between the two surfaces and around the edges before nailing or screwing the plate on Part A to the outside of the structure.
 - From the inside, slide the sleeve of Part B onto the sleeve of Part A until Part B's plate is flush against the inside structure surface. Fasten with screws or nails.

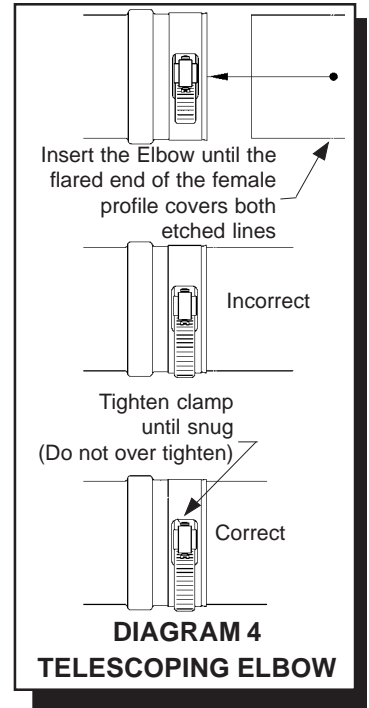


- Slide the 12" appliance adapter or 12" standard vent length over one end of the elbow. Insert the other end of the elbow into the wall thimble. See diagram 4 for proper connection.

- For kit FSWMKE4Pull the appliance adapter over the vent collar and secure it with the built-in locking band. For kit FSWMKEB3 insert the male end of the standard vent length into appliance collar and secure it with the built in locking band.

- Adjust the elbow to achieve the desired pitch.

- Fasten the locking band located on the wall thimble using 1/4" drive ratchet with 5/16 socket.



When installing the adjustable elbow, it is important to make sure that each end is inserted past the silicone gasket. To fully engage each gasket, at least two inches of the elbow must be inserted. This minimum requirement is met as soon as the double lines etched into the ends of the elbow are covered (see diagram 4).

- To terminate, connect the 90 degree Bird Screen Termination to the exterior side of the Wall Thimble. Push the units together until the elbow is seated against the plate.
 - Direct the elbow downward, secure the built-in locking band.

If you are unable to install the elbow past the indicated lines, additional vent lengths must be installed. Refer to the FasNSeal® Installation Instructions (Literature No. 1150B) for proper installation techniques.

Prior to initial start up, check the entire system to ensure all joints are secured and sealed correctly. The seams and joints must be checked for gas tightness when using the venting system with Category III or IV appliances and for free movement of flap. PTS recommends that a qualified inspector check the entire system at least once annually following the initial installation.

The installation must conform to the requirements of the appliance manufacturer's instructions, the National Fuel Gas Code, and local codes and regulations.