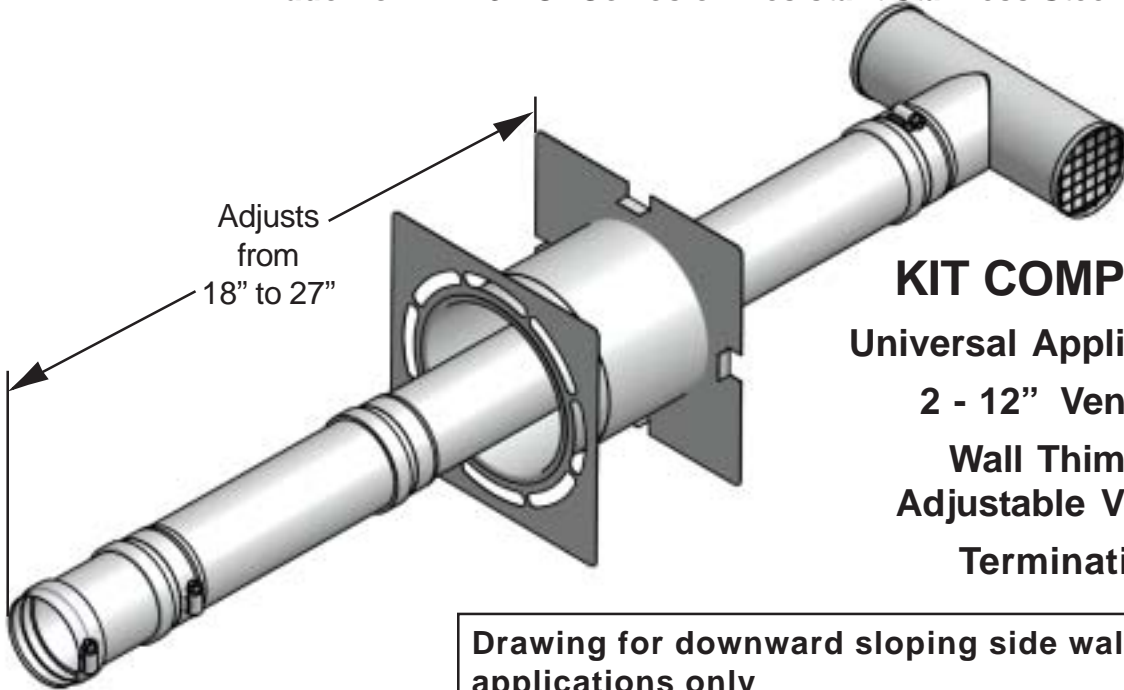




FasNSeal® 3"

VENT KIT FOR CEILING MOUNTED HEATERS

Made from AL29-4C® Corrosion Resistant Stainless Steel



Adjusts from 18" to 27"

KIT COMPONENTS

Universal Appliance Adapter

2 - 12" Vent Lengths

Wall Thimble with Adjustable Vent Length

Termination Tee

Product Number 300682
Part Number FSCMK3

UL Listed:

3" clearance to horizontal combustible surface
1" clearance to combustibles around Wall Thimble



Drawing for downward sloping side wall venting applications only

